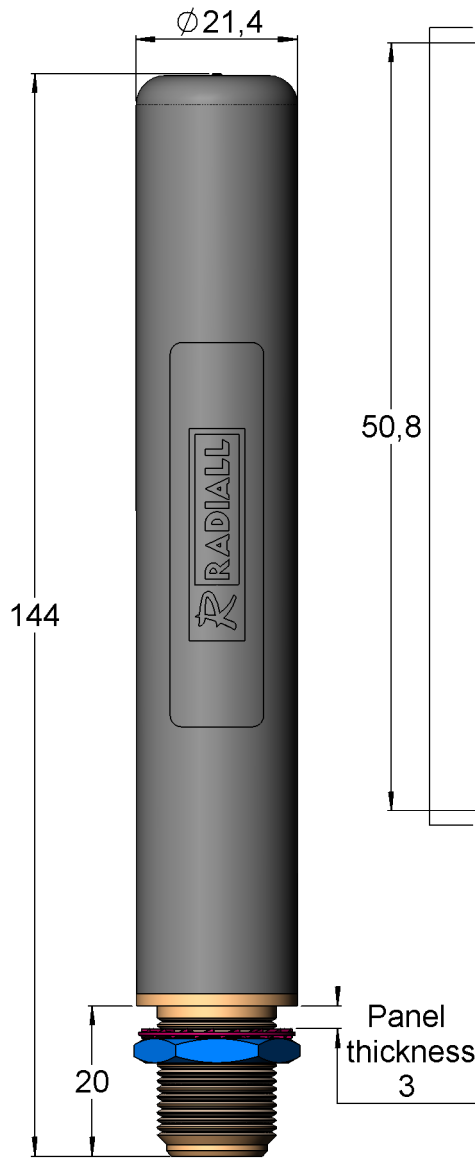


PAGE 1/2	ISSUE 28-04-17A	SERIES ANTENNA	PART NUMBER R380900343
----------	-----------------	----------------	------------------------

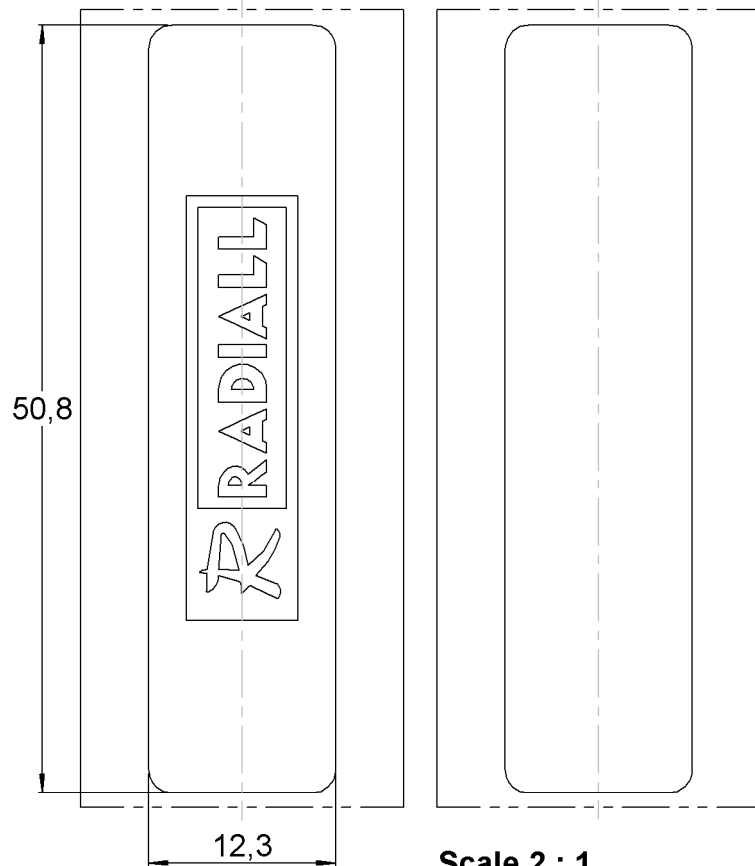
Scale 1 : 1



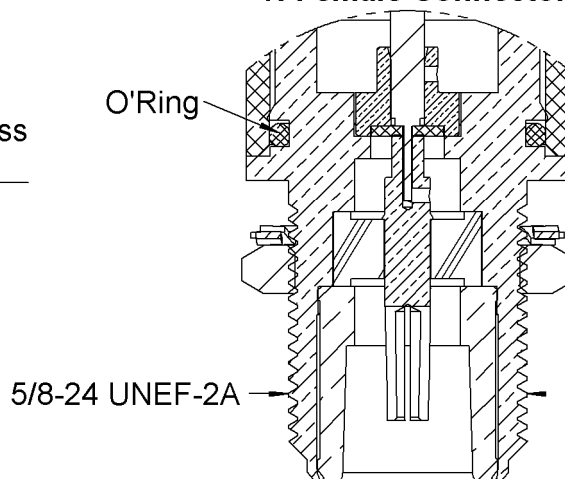
Scale 2 : 1

Front Marking pad

Back Marking pad



Scale 2 : 1
N Female Connector



All dimensions are in mm

PAGE 2/2	ISSUE 28-04-17A	SERIES ANTENNA	PART NUMBER R380900343
----------	------------------------	--------------------------	-------------------------------

ELECTRICAL CHARACTERISTICS

	Band 2	Band 3
Frequency :	2.4 - 2.5 GHz	5.15 - 5.875 GHz
Nominal Impedance :	50 Ω	50 Ω
VSWR :	2 Max	2 Max
Peak Gain (<i>Radiating element</i>)	2 dBi ± 1 dB	2 dBi ± 1 dB
Radiation Pattern	Omnidirectional in the Horizontal Plane	
Polarization :	VERTICAL	
Power withstanding :	5 W	
Connector type :	N (Female)	

MECHANICAL CHARACTERISTICS

Radome Material :	Polycarbonate
Radome Color :	RAL 9005 (Black)
Weight :	≤100 g (Inc. Cable)
Overall length (w/o Cable) :	Ø21.4 × 144 mm

ENVIRONMENTAL CHARACTERISTICS

Operating temperature :	-40/+55 ° C
Storage temperature :	-50/+85 ° C
IP Rating	IP6K9K
Flammability	UL 94-HB